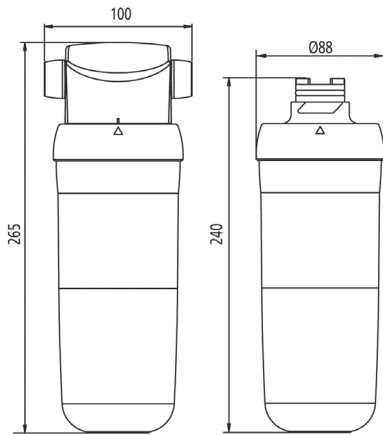


Data Sheet

Norit H2OK WaterPurifier



Dimensions & Weight

Overall length	240 mm
Overall diameter	Ø88 mm
Dry weight system	725 grams

Connection

To mains	3/8" BSP
----------	----------

Storage & Handling

- Keep dry during storage
- Protect against freezing after first use
- Handle with care; do not expose to shocks
- Disposable product; discard as regular waste

Product name	Productcode
WaterPurifier	24.2.151

Packaging unit

24 pcs./box

Filterhead

Sold separately under productcode 24.2.901

MEMBER



Filtrix BV

Siliciumweg 28 • 3812 SX Amersfoort • The Netherlands

T +31 33 422 04 40 • F +31 33 422 04 41

E info@filtrix.com • I www.filtrix.com

Please visit our website to obtain information about your local support.

Technology

Capillary ultrafiltration membranes

Performance¹

Rated capacity	5.000 liter
Lifetime	6 months maximum
Flowrate	4 l/min at 2 bar

Compliance

Biological retention ²	Virus	> 99,99 % (MS2 phages)
	Bacteria	> 99,9999 % (Pseudomonas D.)
	Cysts	> 99,9999 %
Mechanical effects	Turbidity reduction	
	Reduces abrasion on equipment	
Material Safety	Extraction tests	according to NSF/KTW
	Structural Integrity ³	Hydrostatic pressure
	Cyclic pressure	100K cycles of 6 bar at 20°C
	Burst pressure	20 bar at 20°C

Conditions

Max. operating pressure	6 bar
-------------------------	-------

of use

Operating temperature	0 – 40°C
Replace at least every	6 months

Flush 5 liters before first use

¹ Product performance is dependent on incoming water conditions

² Tested according to NSF P231 (microbiological water purifiers) by Vitens Laboratory, The Netherlands

³ Tested according to NSF 42

Limited warranty: Filtrix BV represents and warrants for the warranty period of one year that its products will be free from substantial defects in materials and workmanship. This warranty is subject to exclusions and limitations. For details on warranty and limitation of liability please refer to our warranty sheet.

Disclaimer: The information and data contained in this document are based on our general experience and are believed to be correct. They are given in good faith and are intended to provide a guideline for the selection and use of our products. Since the conditions under which our products may be used are beyond our control, this information does not imply any guarantee of final product performance and we cannot accept any liability with respect to the use of our products. The quality of our products is guaranteed under our conditions of sale. Existing industrial property rights must be observed.

WPU E-6-2008

Norit H2OK WaterPurifier

Norit
leading in purification

Filtrix